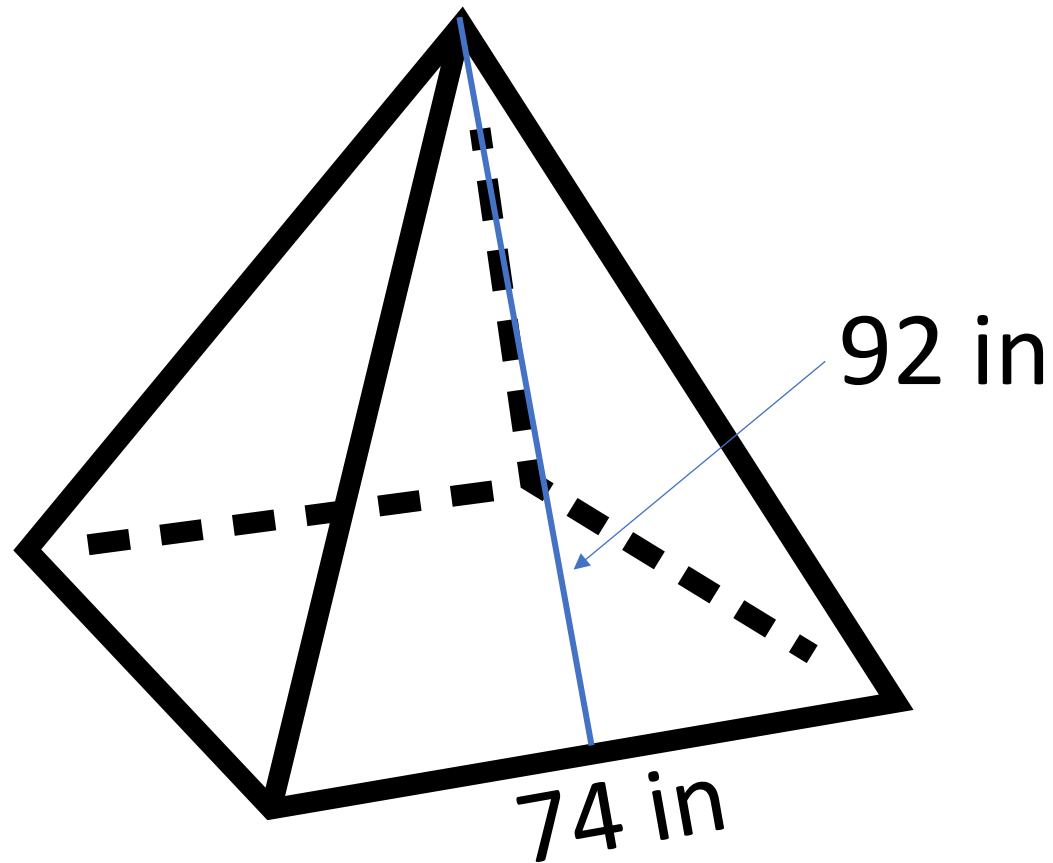


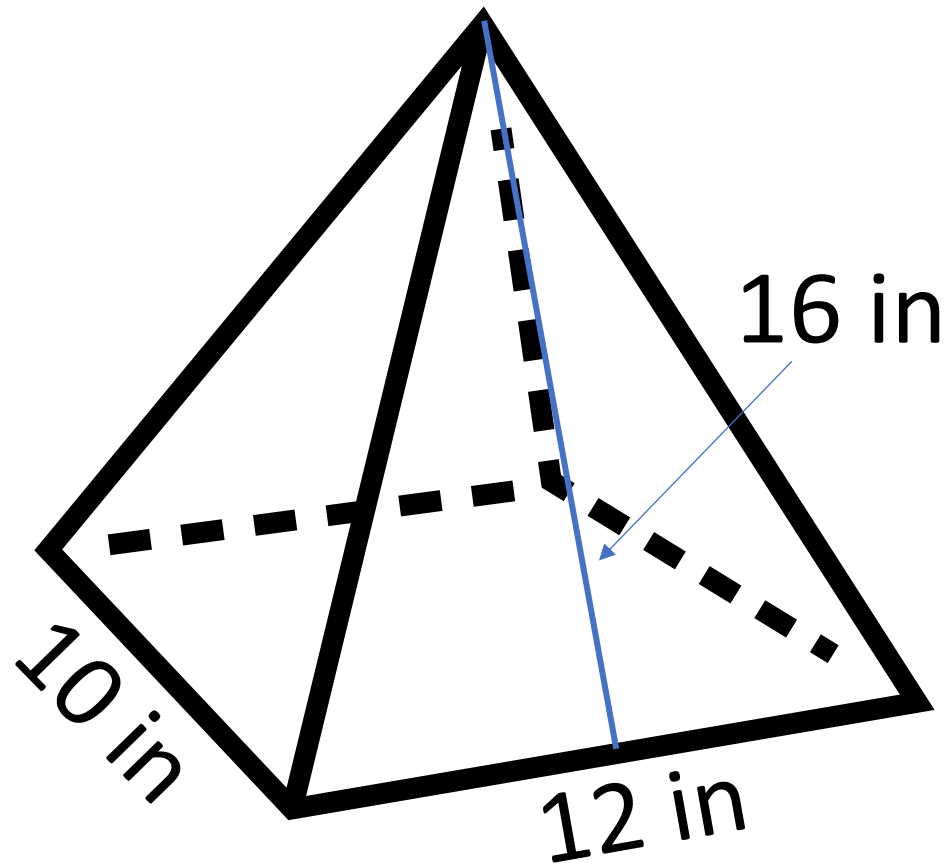
# Station 1

Find the surface area.



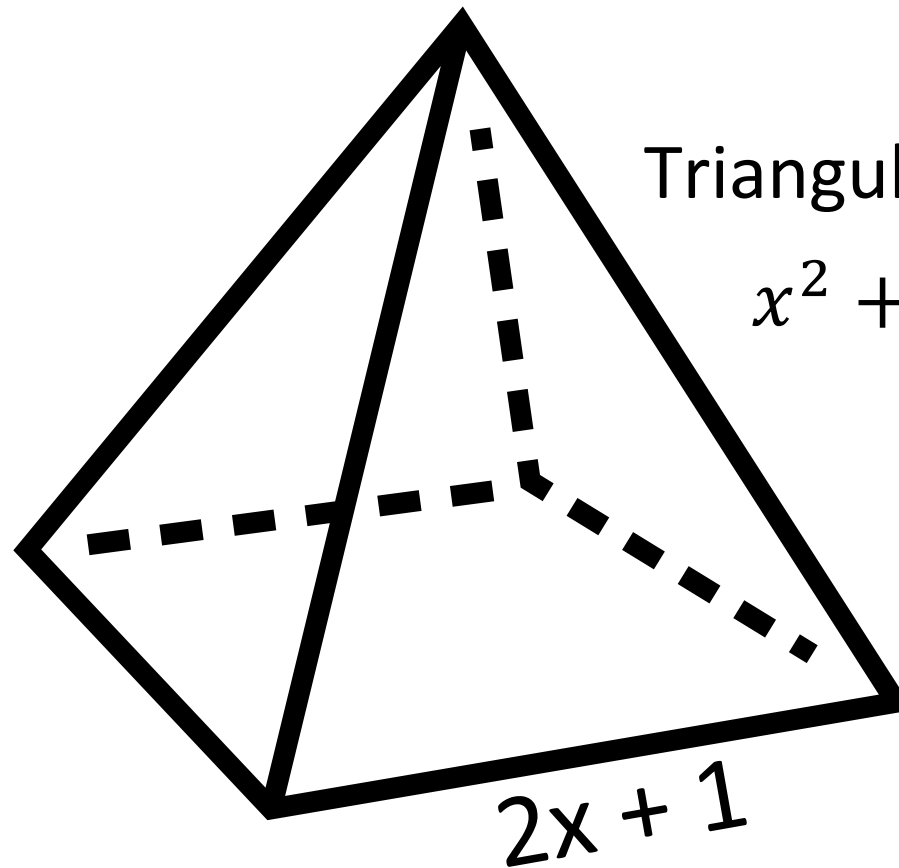
# Station 2

Find the surface area.



# Station 3

Find the surface area.

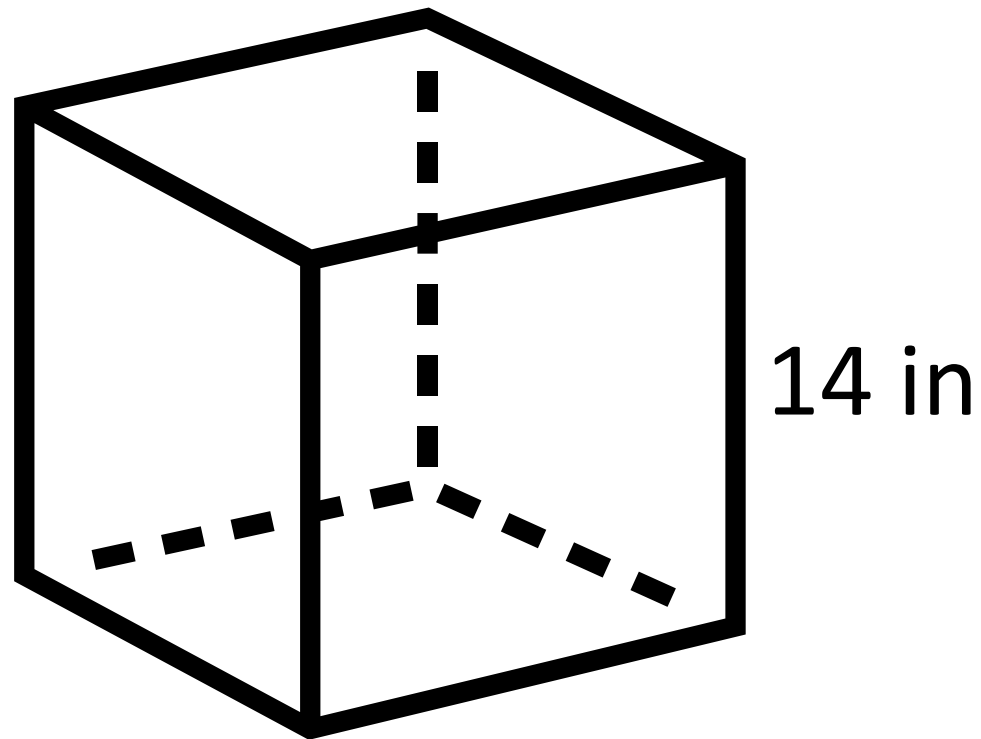


Triangular Face Area

$$x^2 + 6x + 10$$

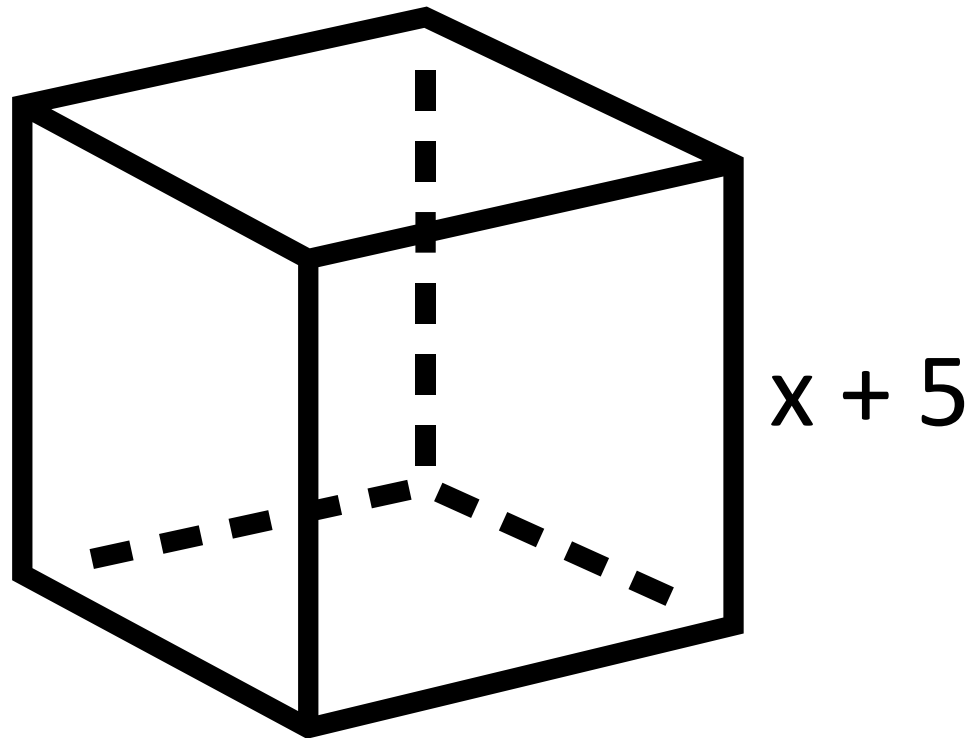
# Station 4

Find the surface area.



# Station 5

Find the surface area.



# Station 6

Find the surface area.

